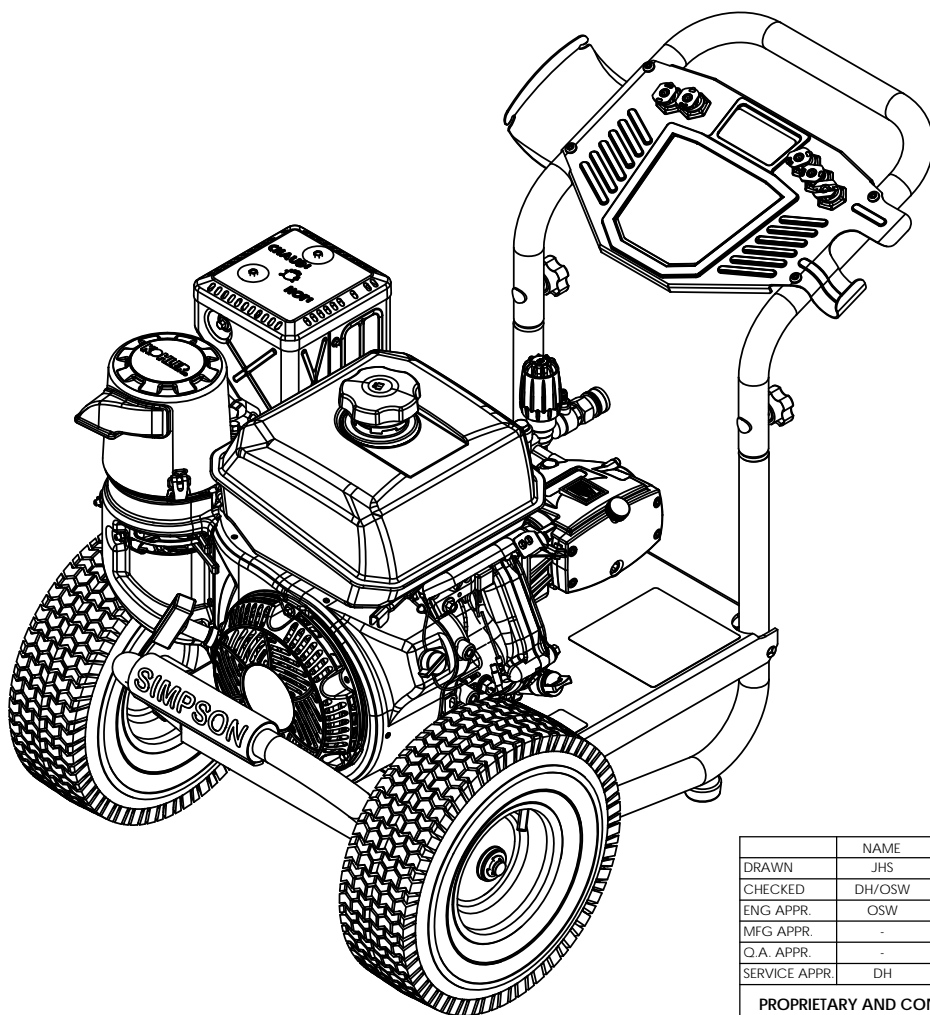
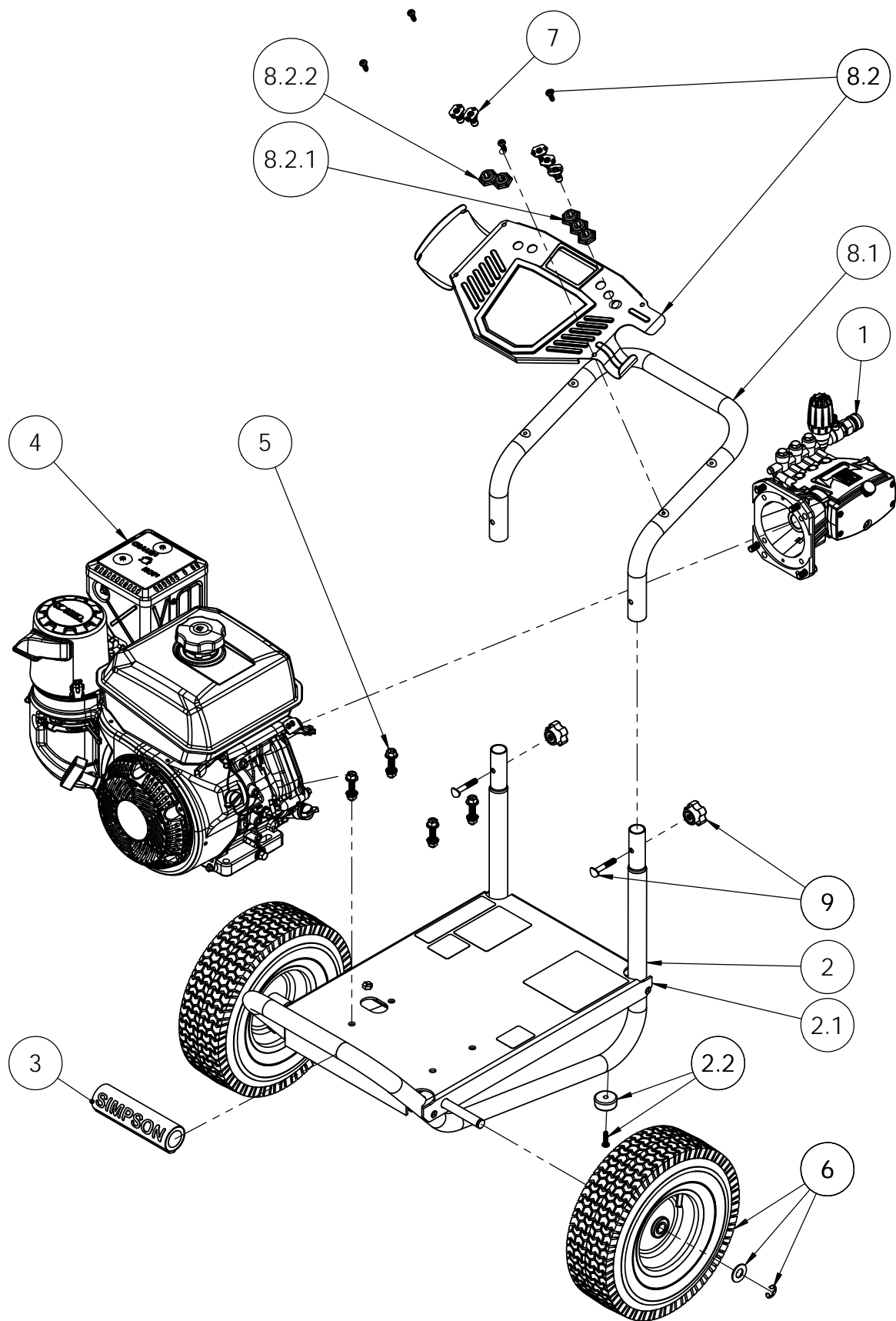


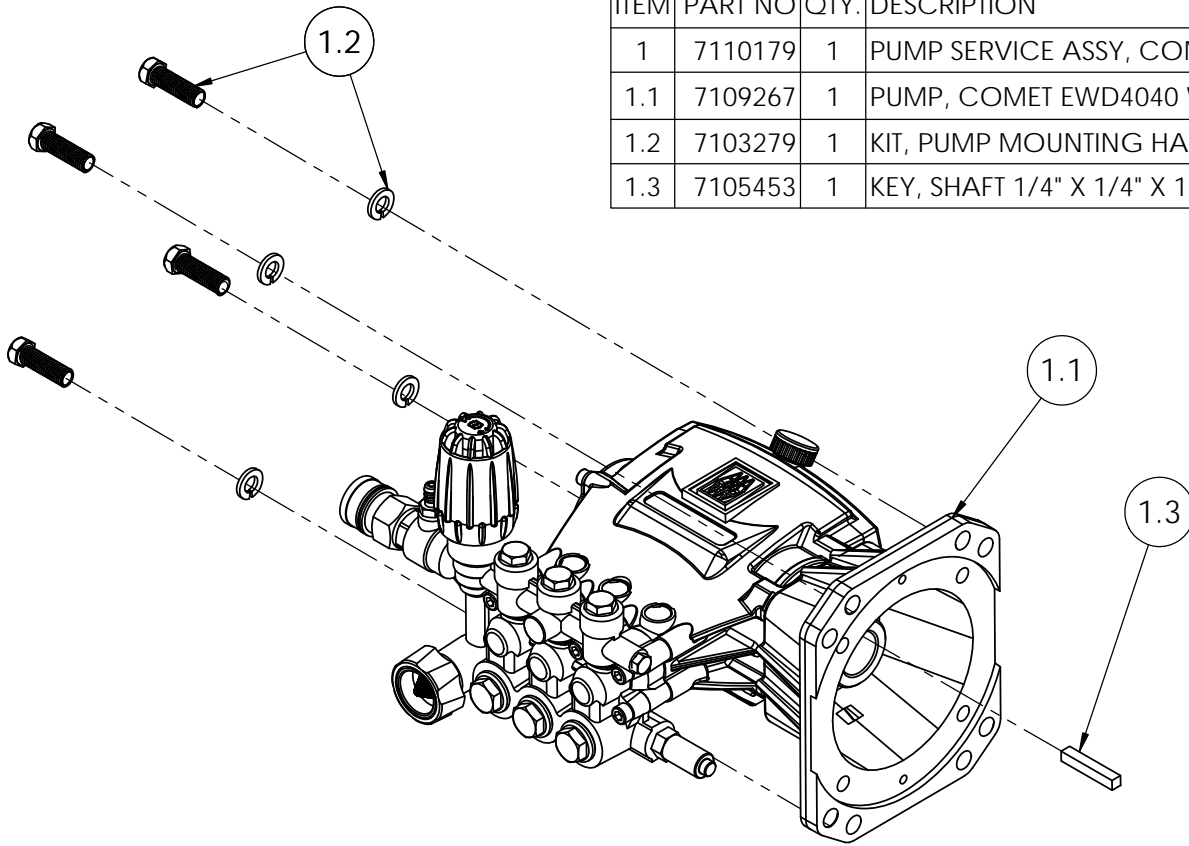
| ITEM  | PART NO | QTY. | DESCRIPTION                                   |
|-------|---------|------|---|
| 1     | 7110179 | 1    | PUMP SERVICE ASSY, COMET EW4040               |
| 2     | 7110231 | 1    | FRAME SVC ASSY, AL 13.25 C-C                  |
| 2.1   | 7109040 | 1    | PLATE, 13.25" C-C ALUM BASE WITH LABELS       |
| 2.2   | 7107262 | 2    | FOOT KIT, SERVICE KIT                         |
| 3     | 7106671 | 1    | HANDLE GRIP, SIMPSON BLACK W/ WHITE LETTERING |
| 4     | 7110233 | 1    | ENGINE SVC ASSY W/ LABELS, KOHLER CH440       |
| 5     | 7110235 | 1    | HARDWARE KIT, ENGINE MOUNTING, KOHLER CH440   |
| 6     | 7105376 | 2    | KIT, 13" WHEEL SERVICE                        |
| 7     | 7101683 | 1    | NOZZLE SET, 4.0 5PC 1/4" QC-M                 |
| 8     | 7110232 | 1    | HANDLE, SVC ASSY W/DASHBOARD, LABELS          |
| 8.1   | 7107064 | 1    | HANDLE TUBE, AL CORNER MOUNT FRAME 13.25" C-C |
| 8.2   | 7110229 | 1    | DASHBOARD SVC ASSY W/ LABELS                  |
| 8.2.1 | 7107068 | 1    | HOLDER, NOZZLE 3PC RUBBER STRIP               |
| 8.2.2 | 7107067 | 1    | HOLDER, NOZZLE 2PC RUBBER STRIP               |
| 9     | 7107941 | 2    | KNOB-BOLT ASSEMBLY                            |



| NAME  |                  |                | DATE   |  |  |
|---|------------------|----------------|--|--|--|
| DRAWN   | JHS              | AUGUST 2017    | <b>FNA-GROUP</b><br>1265 INDUSTRIAL STREET, DECATUR, AR 72722<br>TITLE:<br><b>SIMPSON ALK4240</b><br><b>4200PSI @ 4.0GPM</b> |  |  |
| CHECKED   | DH/OSW           | AUGUST 2017    |  |  |  |
| ENG APPR.   | OSW              | AUGUST 2017    |  |  |  |
| MFG APPR.   | -                | -              |  |  |  |
| O.A. APPR.  | -                | -              |  |  |  |
| SERVICE APPR.   | DH               | AUGUST 2017    |  |  |  |
| <b>PROPRIETARY AND CONFIDENTIAL</b><br>THE INFORMATION CONTAINED IN THIS DRAWING IS THE SOLE PROPERTY OF FNA-GROUP. ANY REPRODUCTION IN PART OR AS A WHOLE WITHOUT THE WRITTEN PERMISSION OF FNA-GROUP IS PROHIBITED. |                  |                |  |  |  |
| SIZE  | DWG. NO.         | REV.           |  |  |  |
| <b>A</b>  | <b>60822-S-A</b> | <b>A</b>       |  |  |  |
| SCALE:  | N/A              | ECN# DC17-0258 | SHEET 1 OF 3   |  |  |

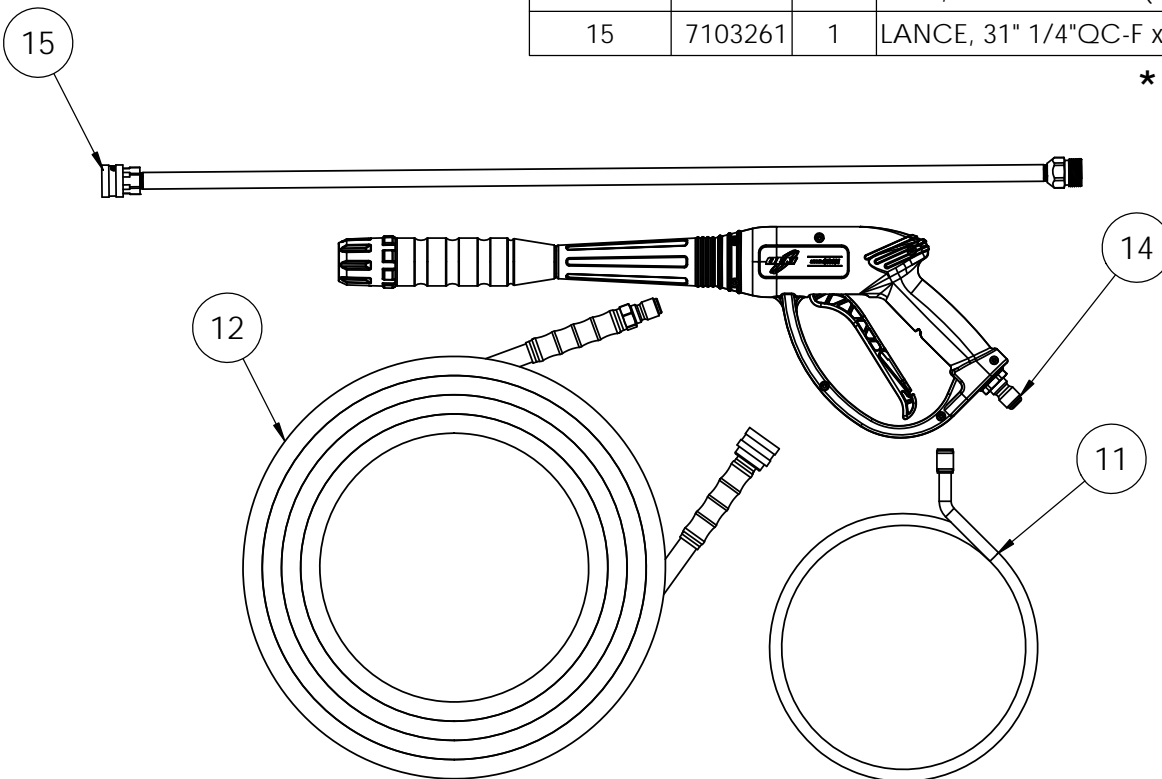


| ITEM | PART NO | QTY. | DESCRIPTION                        |
|------|---------|------|------------------------------------|
| 1    | 7110179 | 1    | PUMP SERVICE ASSY, COMET EW4040    |
| 1.1  | 7109267 | 1    | PUMP, COMET EWD4040 W/ POWER BOOST |
| 1.2  | 7103279 | 1    | KIT, PUMP MOUNTING HARDWARE        |
| 1.3  | 7105453 | 1    | KEY, SHAFT 1/4" X 1/4" X 1-1/2"    |



| ITEM | PART NO | QTY. | DESCRIPTION                              |
|------|---------|------|--|
| 11   | 7107109 | 1    | KIT, SOAP HOSE & FILTER                  |
| 12   | 7103642 | 1    | HOSE, 3/8" x 50' x 4500PSI WIRE BRAID    |
| * 13 | 7102045 | 1    | TOOL, NOZZLE CLEANING, UNIVERSAL         |
| 14   | 7108125 | 1    | GUN, 4500PSI 3/8QC(M) INLET X M22(F) OEM |
| 15   | 7103261 | 1    | LANCE, 31" 1/4"QC-F x M22(M)             |

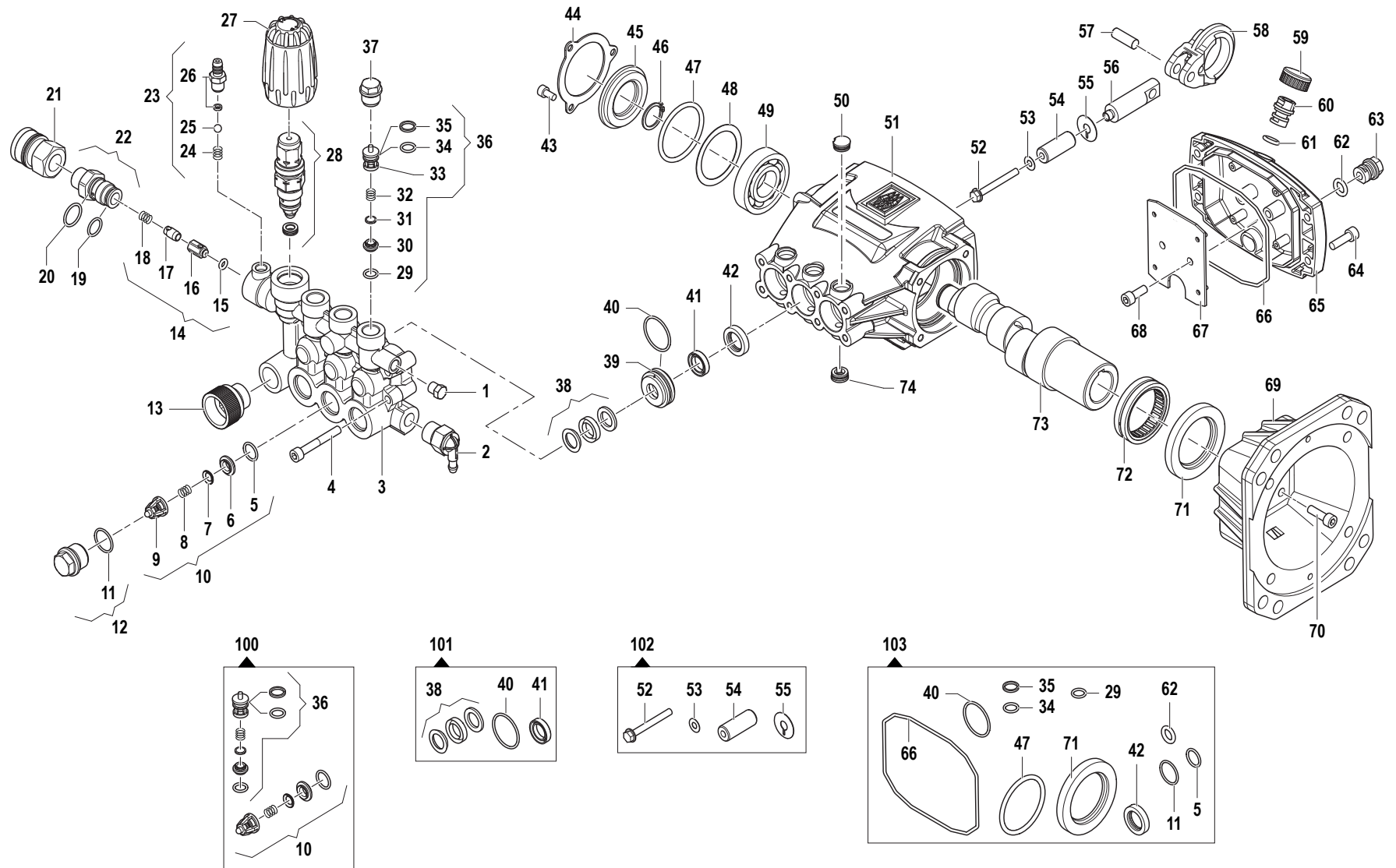
**\* NOT SHOWN**



|                  |                              |                  |
|------------------|------------------------------|------------------|
| SIZE<br><b>A</b> | DWG. NO.<br><b>60822-S-A</b> | REV.<br><b>A</b> |
| SCALE: N/A       | ECN# DC17-0258               | SHEET 3 OF 3     |

# FNA 7109267 PUMP

## EXPLODED VIEW



**7109267 PARTS LIST**

| ITEM | PART    | DESCRIPTION               | QTY. Per Pump | ITEM | PART    | DESCRIPTION                  | QTY. Per Pump |
|------|---------|---------------------------|---------------|------|---------|------------------------------|---------------|
| 1    | N/A     | Cap G1/8"                 | 1             | 42   | N/A     | Oil Seal Ø15 X 24 X 5        | 3             |
| 2    | 7110287 | Thermo Valve Kit 1/4      | 1             | 43   | 7110293 | Screw M5 x 10                | 3             |
| 3    | N/A     | Pump Manifold             | 1             | 44   | 7110294 | Crankcase Flange             | 1             |
| 4    | 7110288 | Screw M8x45               | 8             | 45   | 7104960 | Transparent Cover            | 1             |
| 5    | N/A     | O-Ring Ø1,78 x 12,42      | 3             | 46   | 7110295 | Outer Seger Ø20              | 1             |
| 6    | N/A     | Suction Valve Seat        | 3             | 47   | 7110296 | O-Ring Ø3,53 X 44,04         | 1             |
| 7    | N/A     | Suction Valve             | 3             | 48   | 7110297 | Spacer Ø41 X 51,8 X 0.5      | 1             |
| 8    | N/A     | Suction Spring            | 3             | 49   | 7110298 | Ball Bearing Ø13 X 52 X 15   | 1             |
| 9    | N/A     | Suction Valve Cage        | 3             | 50   | 7110299 | Cap                          | 3             |
| 10   | N/A     | Suction Valve Ass. y Kit  | 3             | 51   | N/A     | Pump Crankcase               | 1             |
| 11   | N/A     | O-Ring Ø1,78 x 17,17      | 3             | 52   | N/A     | Special Screw M5 X 45        | 3             |
| 12   | N/A     | Suction Cap Kit           | 3             | 53   | N/A     | Washer Ø5,2 X 11,7 X 0.3     | 3             |
| 13   | 7110289 | Coupling Kit 3/4-1/2"     | 1             | 54   | N/A     | Ceramic Bushing Ø13          | 3             |
| 14   | N/A     | Check Valve Kit           | 1             | 55   | N/A     | Washer                       | 3             |
| 15   | N/A     | O-Ring Ø2,4 X 4,3         | 1             | 56   | 7110300 | Piston Guide                 | 3             |
| 16   | N/A     | Check Valve               | 1             | 57   | 7110301 | Gudgeon Pin Ø8 X 25          | 3             |
| 17   | N/A     | Ejector                   | 1             | 58   | 7110302 | Con. Rod                     | 3             |
| 18   | N/A     | Spring                    | 1             | 59   | 7110303 | Plug Cover                   | 1             |
| 19   | N/A     | O-Ring Ø1,78 x 12,42      | 1             | 60   | 7110304 | Breather Plug                | 1             |
| 20   | N/A     | O-Ring Ø1,78 x 15,6       | 1             | 61   | 7110305 | O-Ring Ø2,62 X 9,13          | 1             |
| 21   | N/A     | Quick Coupler 3/8 NPT     | 1             | 62   | 7110306 | O-Ring Ø3 X 9                | 1             |
| 22   | 7105404 | Injector Body Kit 3/8 NPT | 1             | 63   | N/A     | Plug                         | 1             |
| 23   | N/A     | Detergent Coupling Kit    | 1             | 64   | 7110307 | Screw M5x20                  | 4             |
| 24   | 7105407 | Detergent Spring          | 1             | 65   | 7110308 | Crankcase Cover              | 1             |
| 25   | 7105408 | Detergent Ball 7/32"      | 1             | 66   | 7110309 | O-Ring Ø12 X 100             | 1             |
| 26   | 7105409 | Detergent Coupling        | 1             | 67   | 7110310 | Plate                        | 1             |
| 27   | 7110290 | Knob                      | 1             | 68   | 7110311 | Screw M6 X 16                | 1             |
| 28   | 7105410 | Reg. Valve Kit + Seat     | 1             | 69   | 7110312 | Flange                       | 1             |
| 29   | N/A     | O-Ring Ø1,78 x 8,73       | 3             | 70   | 7110313 | Screw M5x20                  | 4             |
| 30   | N/A     | Delivery Valve Seat       | 3             | 71   | 7110314 | Oil Seal Ø40 X 62 X 7        | 1             |
| 31   | N/A     | Delivery Valve            | 3             | 72   | 7110315 | Roller Bearing Ø45 X 52 X 16 | 1             |
| 32   | N/A     | Delivery Spring           | 3             | 73   | N/A     | Eccentric Shaft 1"           | 1             |
| 33   | N/A     | Delivery Valve Cage       | 3             | 74   | 7110316 | Drilled Cap                  | 3             |
| 34   | N/A     | O-Ring Ø1,78 x 9,25       | 3             |      |         |                              |               |
| 35   | N/A     | Anti-Extr. Ring           | 3             |      |         |                              |               |
| 36   | N/A     | Delivery Valve Ass.y Kit  | 3             |      |         |                              |               |
| 37   | 7110291 | Delivery Cap              | 3             |      |         |                              |               |
|      |         |                           |               |      |         | <b>PUMP SERVICE KITS</b>     |               |
| 38   | N/A     | Packing Ø13 X 20 X 4,5    | 3             | 100  | 7109627 | Complete Valve Kit           | 1             |
| 39   | 7110292 | Packing Retainer Ø13      | 3             | 101  | 7107528 | Water Seal Kit               | 1             |
| 40   | N/A     | O-Ring Ø1,78 X 26,7       | 3             | 102  | 7107527 | Piston Kit                   | 1             |
| 41   | N/A     | Packing Ø13 X 20 X 4,5    | 3             | 103  | 7109628 | Oil Seal Kit                 | 1             |